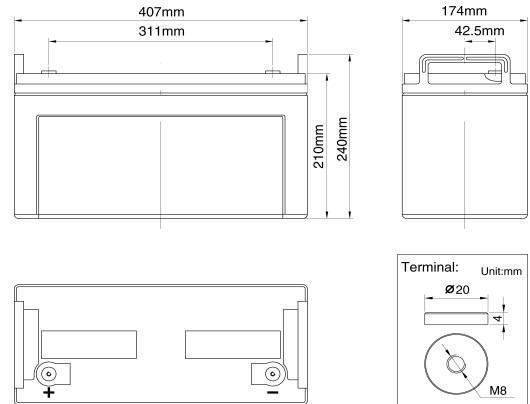


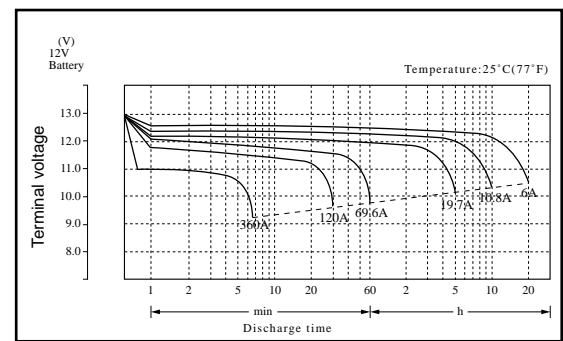
DC120-12



Specifications

Nominal Voltage		12V
Rated Capacity(20 hour rate)		120AH
Dimension	Total Height (with terminals)	240mm(9.45inches)
	Height	210mm(8.27inches)
	Length	407mm(16.02inches)
	Width	174mm(6.85inches)
Weight		Approx.40.3kg(88.84lbs)

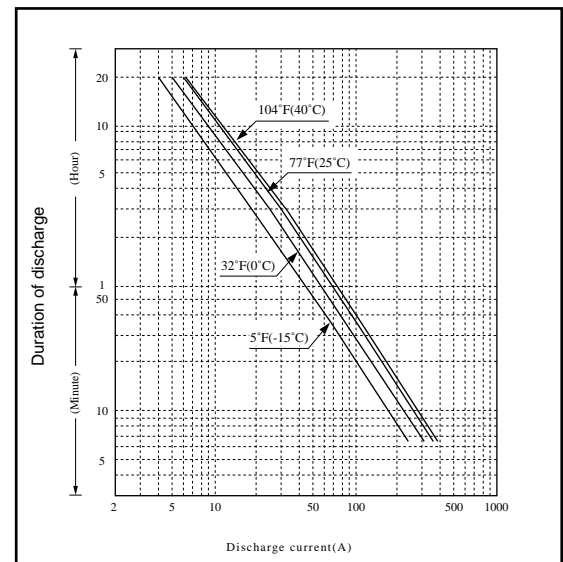
Discharge characteristics 77°F(25°C)



Characteristics

Capacity 77°F(25°C)	20 hour rate(6A)	120AH
	10 hour rate(10.8A)	108AH
	5 hour rate(19.7A)	98.4AH
	1 hour rate(69.6A)	69.6AH
Internal Resistance	Full charged Battery 77°F(25°C)	3.5mΩ
Capacity affected by Temperature (20 hour rate)	104°F(40°C)	102%
	77°F(25°C)	100%
	32°F(0°C)	85%
	5°F(-15°C)	65%
Self-Discharge 77°F(25°C)	Capacity after 3 month storage	91%
	Capacity after 6 month storage	82%
	Capacity after 12 month storage	64%
Max. Discharge Current 77°F(25°C)	1800A(5S)	
Terminal	Standard	F17
	Optional	
Charging (Constant Voltage)	Cycle	Initial Charging Current 24A Or Small 14.5V~14.9V/77°F(25°C)
	Float	13.6V~13.8V/77°F(25°C)

Duration of discharge vs. Discharge current



Constant Power Discharge Watts Per Cell @ 77°F(25°C)

Cut off voltage V/cell	5M	10M	15M	30M	45M	1H	2H	3H	5H	8H	10H	12H	24H
1.60	692	517	416	259	188	149.4	87.8	61.3	41.6	27.3	23.1	20.0	10.4
1.65	673	507	409	257	186	147.4	88.2	60.8	41.4	27.3	23.1	20.0	10.4
1.67	665	501	403	255	184	146.5	87.9	60.2	41.4	27.3	23.1	20.0	10.4
1.70	640	484	388	249	181	145.5	87.4	59.8	41.3	27.3	23.1	20.0	10.4
1.75	609	461	371	239	177	143.6	86.7	59.2	40.8	26.9	22.9	20.0	10.4
1.80	577	439	354	231	172	141.6	86.0	58.7	40.3	26.5	22.5	19.8	10.4

Note The above data are average values, and can be obtained within 3 charge/discharge cycles. These are not minimum values.

FULLRIVER DC BATTERIES

This information is generally descriptive only and is not intended to make or imply any representation, guarantee or warranty with respect to any cells and batteries. Cell and battery designs/specifications are subject to modification without notice. Contact Fullriver for the latest information.