

## Ampair (Pacific) 300 wind turbine system

The Ampair (Pacific) 300 wind turbine system is suitable for larger yachts, small industrial locations, or remote holiday cabins. This micro wind turbine has evolved from the outstandingly rugged Ampair 100 unit with the addition of the revolutionary PowerFurl™ blade pitch control system, advanced aerodynamic blade design and a more powerful generator.

### Ampair 300 Features:

- Combines non-intrusive operation with elegant modern styling,
- Accurate aerofoil construction of each turbine blade optimises performance, minimises noise and vibration, and improves power-to-weight ratio,
- Rigid blade design avoids "whooping", "motorboating", or "screaming", (vibration, resonance, and flutter),
- Integral marine-grade sealing system protects internal components from condensation and corrosion,
- Simple pole mounting allows installation in many locations,
- Operates with no thermal cut-outs, commutator brushes, or complex electronics,
- Revolutionary simultaneous PowerFurl™ blade pitch control system reduces turbine speed in high winds whilst maintaining power output,
- Three phase AC output from turbine minimises voltage drop and permits use of smaller cables; external DC rectifier included in system,
- Wide range of accessories available including various mounting options

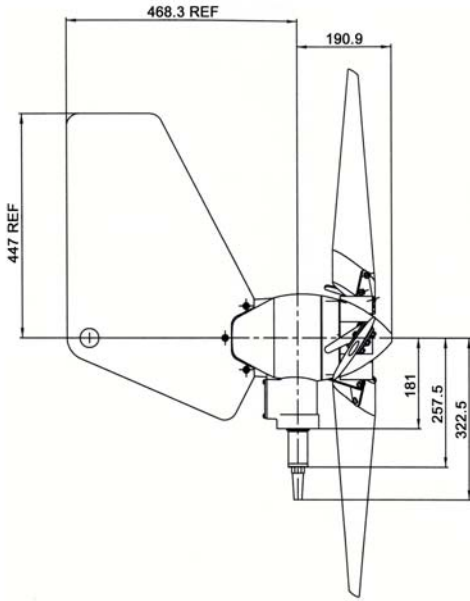


### Ampair 300 Technical Specifications

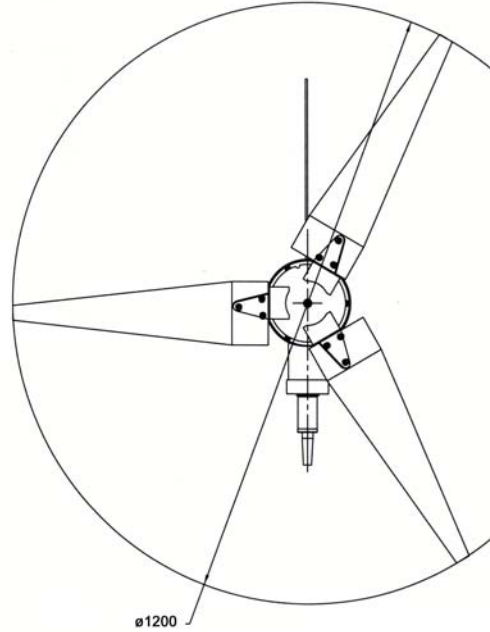
Table of Ampair 300 Technical Specifications	
Power rating	300 watts at 12.5 metres per second (25 knots) wind speed
Power curve	See graph below
Voltage options	12 volt DC; 24 volt DC
Electrical output	three phase AC from turbine to DC rectifier (supplied)
Start-up windspeed	3 metres per second (6 knots) wind speed*
Over speed protection	PowerFurl™ blade pitch control system
Blades	3 blades manufactured from glass reinforced polypropylene
Housing	Die cast aluminium with Alacrom 1200 and powder coating
Colours	White

*\*start up wind speed after running-in period*

# Ampair 300 Dimensions



SCALE 0.500



AMPAIR 300